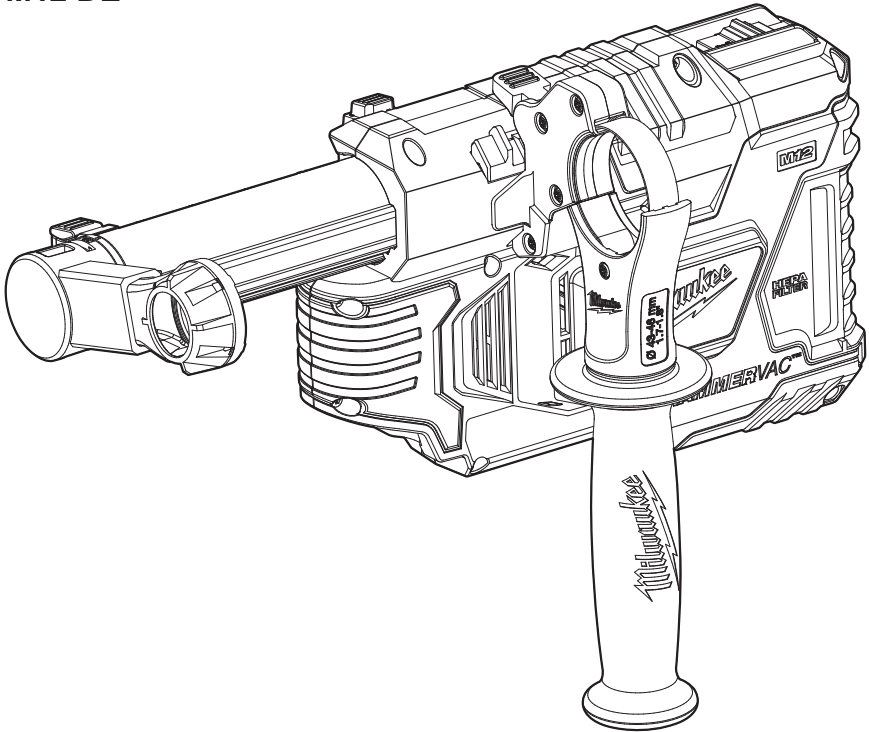




## OPERATOR'S MANUAL

Cat. No.  
M12 DE



### M12™ HAMMERVAC™ UNIVERSAL DUST EXTRACTOR

***TO REDUCE THE RISK OF INJURY, USER MUST READ AND UNDERSTAND OPERATOR'S MANUAL.***

# IMPORTANT SAFETY INSTRUCTIONS

**⚠ WARNING** WHEN USING AN ELECTRICAL DUST EXTRACTOR, BASIC PRECAUTIONS SHOULD ALWAYS BE FOLLOWED, INCLUDING THE FOLLOWING: READ ALL INSTRUCTIONS BEFORE USING DUST EXTRACTOR. FOR HOUSEHOLD OR COMMERCIAL USE. BEFORE USING THE DUST EXTRACTOR, READ THIS OPERATOR'S MANUAL, YOUR TOOL, BATTERY PACK AND CHARGER OPERATOR'S MANUALS, AND ALL LABELS ON THE DUST EXTRACTOR, BATTERY PACK, CHARGER AND TOOL.

## WORK AREA SAFETY

- **Keep work area clean and well lit.** Cluttered or dark areas invite accidents.
- **Dust extractors have motors and other parts that can produce sparks during normal use.** Do not use within 10m of areas where explosive materials may be present (such as petrol pumps and places where liquids like paint thinners, cleaners, solvents, etc. are stored).
- **Do not use in the presence of explosive dust, liquids or vapors.**
- **Do not use where oxygen or anesthetics are used.**
- **Do not allow to be used as a toy.** Close attention is necessary when used by or near children.
- **Use extra care when using on stairs.**

## ELECTRICAL SAFETY

- **Do not pick up wet material.** Do not use water to settle dust.
- **Do not handle battery pack or dust extractor with wet hands.**

## PERSONAL SAFETY

- **STAY ALERT.** Watch what you are doing and use common sense. Do not use dust extractor when you are tired, distracted or under the influence of drugs, alcohol or medication causing diminished control.
- **The operation of a dust extractor can result in foreign objects being blown into eyes,** which can result in eye damage. Always wear safety goggles or glasses with side shields when operating dust extractor.
- **Wear a face or dust mask** when working in dust situations. Dust particles can harm your lungs.
- **Avoid accidental starting. Ensure the switch is in the off-position before inserting battery pack.** Inserting battery pack in dust extractor that has the switch on invites accidents.
- **Do not overreach. Keep proper footing and balance at all times.** This enables better control of the dust extractor in unexpected situations.
- **Keep hair, loose clothing, fingers, and all parts of body away from openings and moving parts.**
- **Use only as described in this manual.** Use only manufacturer's recommended attachments.

## USE AND CARE

- **Do not use without dust box and/or filter in place.**
- **Do not use to pick up flammable or combustible liquids** such as petrol or use in areas where they may be present.

- **Do not pick up anything that is burning or smoking** such as cigarettes, matches, or hot ashes.
- **Do not pick up soot, cement, plaster or drywall dust without filter in place.** These are very fine particles that may affect the performance of the motor or be exhausted back into the air.
- **To reduce the risk of health hazards from vapors or dust, do not vacuum toxic, carcinogenic or other hazardous materials** such as asbestos, arsenic, barium, beryllium, lead, pesticides or other health endangering materials.
- **WARNING:** Some dust created by power sanding, grinding, drilling, and other construction activities contains chemicals known to cause cancer, birth defects or other reproductive harm. Some examples of these chemicals are:
  - lead from lead-based paint
  - crystalline silica from bricks and cement and other masonry products, and
  - arsenic and chromium from chemically-treated lumber.

Your risk from these exposures varies, depending on how often you do this type of work. To reduce your exposure to these chemicals: work in a well ventilated area, and work with approved safety equipment, such as those dust masks that are specially designed to filter out microscopic particles.

- **Use special care when emptying heavily loaded tanks.**
- **To avoid spontaneous combustion, empty dust box after each use.**
- **Do not leave dust extractor unattended when battery pack is installed.** Remove battery pack when not in use and before servicing.
- **Do not put any object into openings.** Do not use with any opening blocked; keep free of dust, lint, hair, and anything else that may reduce air flow.
- **Maintain dust extractor. Check for misalignment or binding of moving parts, breakage of parts and any other condition that may affect the dust extractor's operation. If damaged, have the dust extractor repaired before use.** Many accidents are caused by poorly maintained tools.
- **Maintain labels and nameplates.** These carry important information. If unreadable or missing, contact a MILWAUKEE service facility for a replacement.

## BATTERY PACK USE AND CARE

- **Use dust extractor only with specifically designated battery packs.** Use of any other battery packs may create a risk of injury and fire.

- Turn off all controls before removing battery pack.
- To reduce the risk of electric shock, do not use on wet surfaces. Do not expose to rain. Store indoors.
- Before using the battery pack or charger read the operator's manuals, and any labels on the battery pack, charger and dust extractor.
- Recharge only with the charger specified by the manufacturer. A charger that is suitable for one type of battery pack may create a risk of fire when used with another battery pack.
- When battery pack is not in use, keep it away from other metal objects like paper clips, coins, keys, nails, screws, or other small metal objects that can make a connection from one terminal to another. Shorting the battery terminals together may cause burns or a fire.
- Do not use damaged battery pack or dust extractor. If battery pack or dust extractor are not working as they should, have been dropped, damaged, left outdoors, or dropped into water, return them to a service center.

### SERVICE

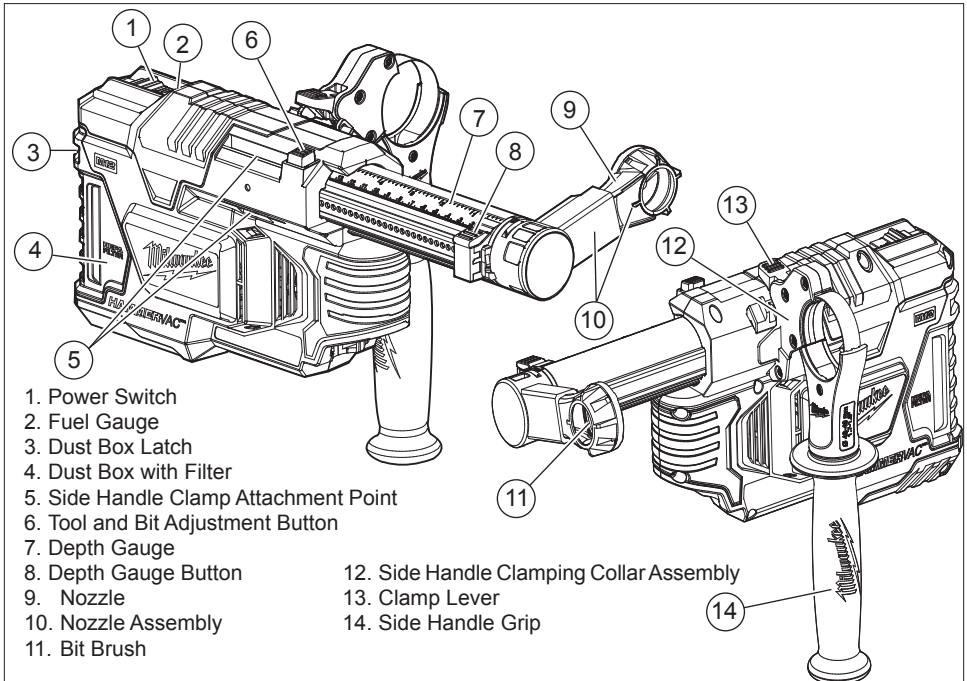
- Have your power tool serviced by a qualified repair person using only identical replacement parts. This will ensure that the safety of the power tool is maintained.

### SPECIFIC SAFETY RULES

- Before using the dust extractor, read this operator's manual, your tool, battery pack and charger operator's manuals, and all labels on the dust extractor, battery pack, charger and tool.
- Always use side handle assembly with the correct neck diameter for the rotary hammer/hammer drill. An ill-fitting side handle will not tighten securely, causing loss of control.
- Never use dust extractor without dust box and HEPA filter in place. Never use water to clean dust box or HEPA filter.
- Wear ear protection. Exposure to noise can cause hearing loss.
- Always use side handle provided with dust extractor when using with a rotary hammer/hammer drill. When dust extractor is removed from the tool, always use side handle(s) supplied with the tool. Loss of control can cause personal injury.
- Hold power tool by insulated gripping surfaces, when performing an operation where the fastener may contact hidden wiring. Fasteners contacting a "live" wire may make exposed metal parts of the power tool "live" and could give the operator an electric shock.

# READ AND SAVE ALL INSTRUCTIONS FOR FUTURE USE


### FUNCTIONAL DESCRIPTION



## SPECIFICATIONS

Cat. No.	Volts DC	Max. Bit Diameter	For use with Hammer Collar Sizes Diameter / Circumference
M12 DE	12	16mm (5/8")	S = Ø 43 mm - 46 mm (1.7"-1.8") / 135 mm - 144.5 mm (5.3"-5.7") M = Ø 48 mm - 55 mm (1.9"-2.2") / 151 mm - 173 mm (6"-6.9") L = Ø 56 mm - 59 mm (2.2"-2.3") / 176 mm - 185 mm (6.9"-7.2")

## SYMBOLOLOGY

<b>V</b>	Volts		Underwriters Laboratories, Inc. United States and Canada
— — —	Direct Current		

## ASSEMBLY

**⚠ WARNING** Always remove battery pack before changing or removing accessories. Only use accessories specifically recommended for this tool. Others may be hazardous.

### Inserting/Removing the Battery

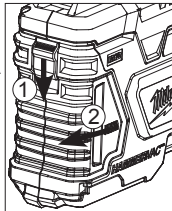
To **remove** the battery, push in the release buttons and pull the battery pack away from the tool.  
To **insert** the battery, slide the pack into the body of the tool. Make sure it latches securely into place.

**⚠ WARNING** To reduce the risk of injury, always remove the battery pack before removing the dust box. Do not use tool without dust box and HEPA filter in place.

### Installing/Removing the Dust Box and HEPA Filter

To **remove** the dust box:

1. Turn OFF the tool.
2. Remove the battery pack.
3. Press the dust box latch down.
4. Pull the dust box away from the HAMMERVAC™.
5. Empty dust from the dust box.
6. If necessary, pull the HEPA filter away from the dust box and tap clean. Do not clean with water or compressed air. After noticing a considerable loss of suction, discard and replace HEPA filter (Cat. No. 49-90-2306).



To **install** the dust box:



1. Slide the dust box into the body of the HAMMERVAC™.
2. The dust box latch should snap into place.

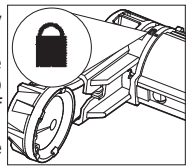
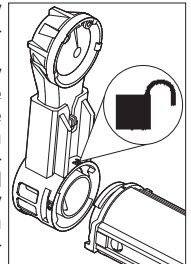
**NOTE:** Do not operate the HAMMERVAC™ without the dust box and HEPA filter in place. Dust box cannot be installed without HEPA filter.

**CAUTION** Keep filter clean. Efficiency of the HAMMERVAC™ is largely dependent on the filter. A dirty filter will reduce the air flow and overall efficiency of the system. Do not clean with water or compressed air. Remove from dust box and tap clean.

### Installing/Removing Nozzle Assembly

To install the nozzle assembly supplied with the tool, or accessory nozzles:

1. With the nozzle assembly pointing straight up, line up the lugs of the nozzle assembly with the lugs on the front of the HAMMERVAC™. The unlock symbol  on the nozzle assembly will line up with the mark on the top of the HAMMERVAC™.
2. Turn the nozzle assembly left or right to lock into place. The lock symbol  on the nozzle assembly will line up with the mark on the top of the HAMMERVAC™.
3. To remove, reverse the procedure.



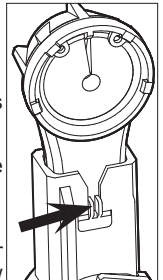
### Installing/Removing Nozzle

Contact your Milwaukee dealer or service facility to order a replacement bit brush.

Replace the nozzle:

- After drilling about 1500 holes,
- When the bit brush shows signs of wear,
- When suction is reduced,
- When dust escapes through the bit brush during use

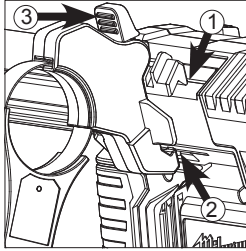
To replace the nozzle, press in the release button and pull out from the lower nozzle assembly. Slide the new nozzle into the lower nozzle assembly until it snaps into place.



## Attaching the HAMMERVAC™ to a Rotary Hammer/Hammer Drill

The HAMMERVAC™ is provided with three clamping collar assemblies and one side handle grip. Choose the correct clamping collar assembly for the tool being used (see *Specifications*). The side handle grip should be unscrewed from one assembly to be used on another.

1. Turn OFF, remove the battery pack from the HAMMERVAC™, and disconnect power from the tool.
2. Remove the tool side handle.
3. Partially screw side handle grip onto clamping collar assembly
4. Slide the HAMMERVAC™ side handle clamping collar assembly over the chuck and onto the neck of the tool. The clamp lever must be facing up (3).
5. Attach the side handle clamping collar assembly onto the HAMMERVAC™, first the upper jaw, then lower jaw.
6. Press down the clamp lever (3) to secure the clamping collar assembly to the HAMMERVAC™.
7. Rotate the HAMMERVAC™ and side handle grip to the desired position, and tighten securely.



## Adjusting the Side Handle Position

1. Loosen the side handle clamping collar assembly by unscrewing the side handle grip until the side handle clamping collar assembly rotates freely.
2. Rotate the side handle grip to the desired position.
3. Tighten the side handle grip securely.

## Installing/Removing the Bit

Slide the bit through the nozzle and then install into the tool according to the tool manufacturer's instructions. For best results, use a bit  $\leq$  the length of the nozzle.

## Fitting the HAMMERVAC™ to the Tool and Bit

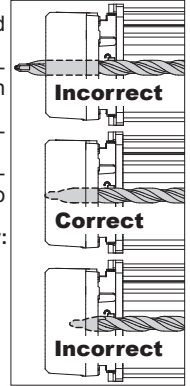
For proper suction and depth control, position the nozzle assembly so the bit is flush with the forward face of the nozzle:

1. Press and hold the tool and bit adjustment button.
2. Push in the nozzle assembly until the bit is flush with the front face of the nozzle.
3. Release the tool and bit adjustment button.

**NOTE:** Fully extend the HAMMERVAC™ before storing to preserve spring life.

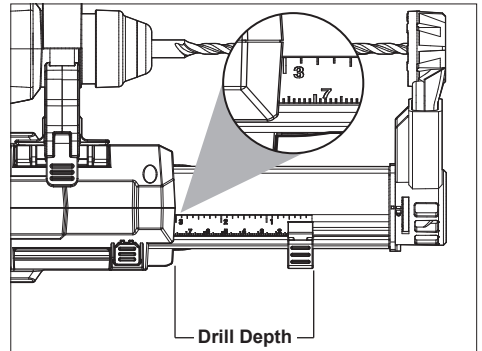
### To extend the nozzle assembly:

1. Press and hold the tool and bit adjustment button.
2. Slightly push in the nozzle assembly and release to allow spring to extend.
3. Release the tool and bit adjustment button.



## Setting the Drilling Depth

1. Fit the HAMMERVAC™ to the Tool and Bit.
2. Press and hold the depth gauge button and slide the depth gauge to the desired depth. The drilling depth is the last visible measurement shown when viewed from the top of the tool.



To ensure the HAMMERVAC™ is properly set to the tool, bit, and desired depth, always drill a test hole.

## OPERATION

**⚠ WARNING** To reduce the risk of fire and injury, do not use to pick up flammable or combustible materials.

**⚠ WARNING** To reduce the risk of injury, wear safety goggles or glasses with side shields and dust mask. Empty dust box completely before use.

**NOTE:** When using the optional Crevice Tool accessory (Cat. No. 49-90-2325), set the drill depth to 0.

### Using the Power Switch

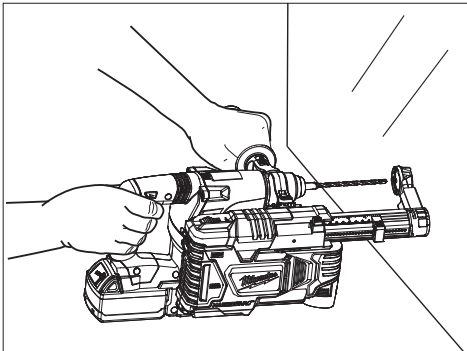
**AUTO** To set the HAMMERVAC™ to start automatically as a hole is being drilled, move the power switch to the AUTO position. When the nozzle assembly is pushed in, the HAMMERVAC™ will run. **NOTE:** The HAMMERVAC™ will continue to run 3-5 seconds after the tool has fully extended to ensure all dust is captured in dust box.

**ON** To turn the tool ON, move the power switch to the ON position. The HAMMERVAC™ will run continuously.

**OFF** To turn the tool OFF, move the power switch to the OFF position.

### Proper Operation

1. Empty the dust box.
2. Install and position the nozzle assembly to the desired side.
3. Attach side handle clamping collar assembly and grip to tool.
4. Fit the HAMMERVAC™ to the Tool and Bit.
5. Set the drill depth.
6. Install the battery pack.
7. Turn HAMMERVAC™ to ON or AUTO.
8. Begin use according to tool manufacturer instructions.
9. Always hold the tool securely using both handles to maintain control.



10. Stop and empty dust box:
  - When suction decreases
  - or
  - When dust begins to come through the bit brush.

## MAINTENANCE

**⚠ WARNING** To reduce the risk of injury, always unplug the charger and remove the battery pack from the charger or tool before performing any maintenance. Never disassemble the tool, battery pack or charger. Contact a MILWAUKEE service facility for ALL repairs.

### Maintaining Tool

Keep your tool, battery pack and charger in good repair by adopting a regular maintenance program. After six months to one year, depending on use, return the tool, battery pack and charger to a MILWAUKEE service facility for:

- Lubrication
- Mechanical inspection and cleaning (gears, spindles, bearings, housing, etc.)
- Electrical inspection (battery pack, charger, motor)
- Testing to assure proper mechanical and electrical operation

If the tool does not start or operate at full power with a fully charged battery pack, clean the contacts on the battery pack. If the tool still does not work properly, return the tool, charger and battery pack, to a MILWAUKEE service facility for repairs.

**⚠ WARNING** To reduce the risk of personal injury and damage, never immerse your tool, battery pack or charger in liquid or allow a liquid to flow inside them.

### Cleaning

Clean dust and debris from charger and tool vents. Keep tool handles clean, dry and free of oil or grease. Use only mild soap and a damp cloth to clean the tool, battery pack and charger since certain cleaning agents and solvents are harmful to plastics and other insulated parts. Some of these include petrol, turpentine, lacquer thinner, paint thinner, chlorinated cleaning solvents, ammonia and household detergents containing ammonia. Never use flammable or combustible solvents around tools.

### Repairs

For repairs, return the tool, battery pack and charger to the nearest service center, please visit [www.milwaukeeetools.com.au](http://www.milwaukeeetools.com.au) / [www.milwaukeeetools.co.nz](http://www.milwaukeeetools.co.nz) or contact our customer service centre (Australia Toll Free Telephone Number 1300 361 505) (New Zealand Toll Free Telephone Number 0800 279 624).

## ACCESSORIES

**⚠ WARNING** Always remove battery pack before changing or removing accessories. Only use accessories specifically recommended for this tool. Others may be hazardous.

For a complete listing of accessories, refer to your MILWAUKEE Electric Tool catalog or go online to [www.milwaukeeetools.com.au](http://www.milwaukeeetools.com.au) / [www.milwaukeeetools.co.nz](http://www.milwaukeeetools.co.nz). To obtain a catalog, contact your local distributor or service center.

**Milwaukee Electric Tool Corporation**

13135 West Lisbon Road, Brookfield, Wisconsin U.S.A. 53005

**Milwaukee Electric Tool Corporation (Australia)**

Techtronic Industries (Australia) Pty. Ltd.  
Doncaster, Victoria, Australia, 3108

**Milwaukee Electric Tool Corporation (New Zealand)**

Techtronic Industries (New Zealand) Pty. Ltd.  
Mt Wellington, Auckland, New Zealand, 1060

Professionally made in China for Milwaukee Electric Tool Corporation

961011020-01(A)